

6

5

4

3

2

1

REVISION RECORD			
LTR	ECO NO:	APPROVED	DATE

Mate is Molex 151340203
 "Do not exceed 80mA"

D

D

C

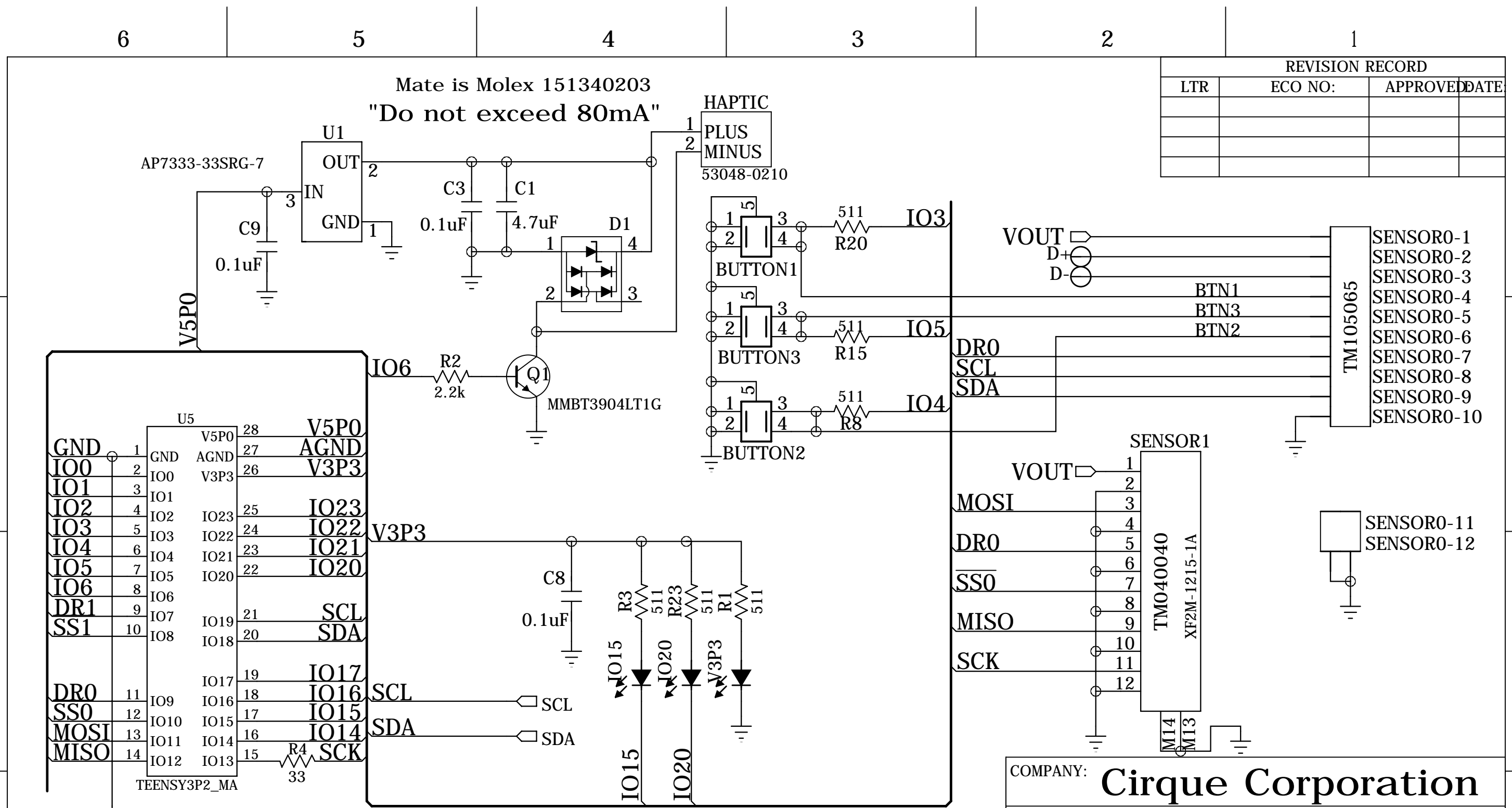
C

B

B

A

A



COMPANY: **Cirque Corporation**

TITLE: **GLIDEPOINT DEV KIT RUSHMORE SPI & I2C**

DRAWN: Doug Steck	DATED: 2018/07/10
CHECKED:	DATED:
QUALITY CONTROL:	DATED:
RELEASED:	DATED:

CODE:	SIZE:	DRAWING NO:	REV:
	B	8C-000658-00	C00
SCALE:			SHEET 1 OF 4



6

5

4

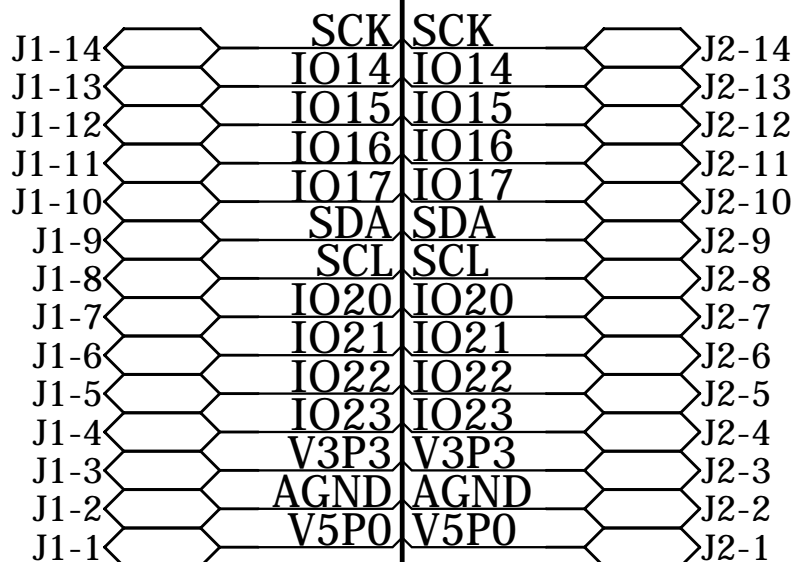
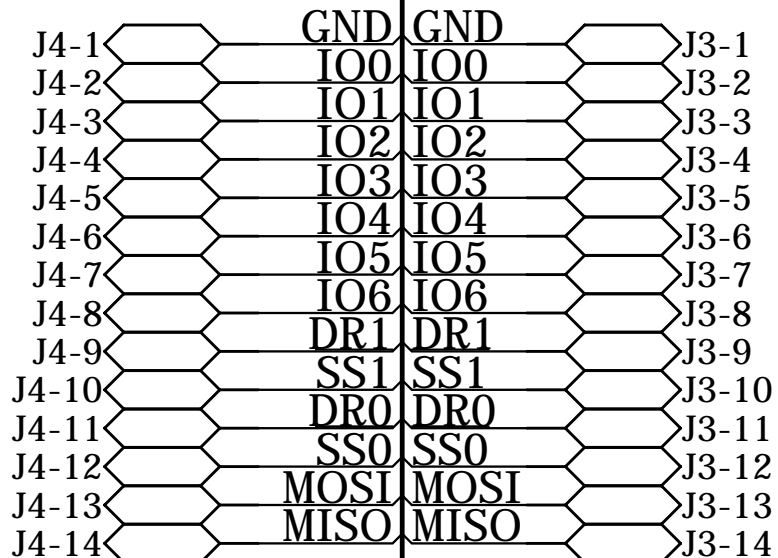
3

2

1

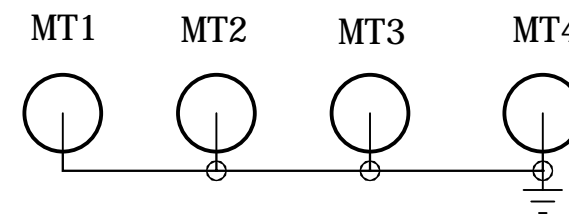
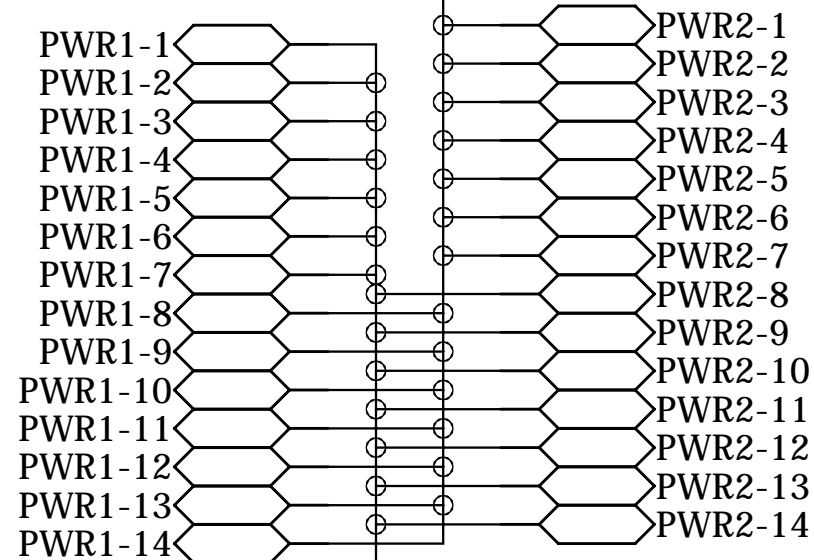
REVISION RECORD			
LTR	ECO NO:	APPROVED	DATE

TEENSY_I/O



TEENSY_I/O

V3P3



COMPANY: **Cirque Corporation**

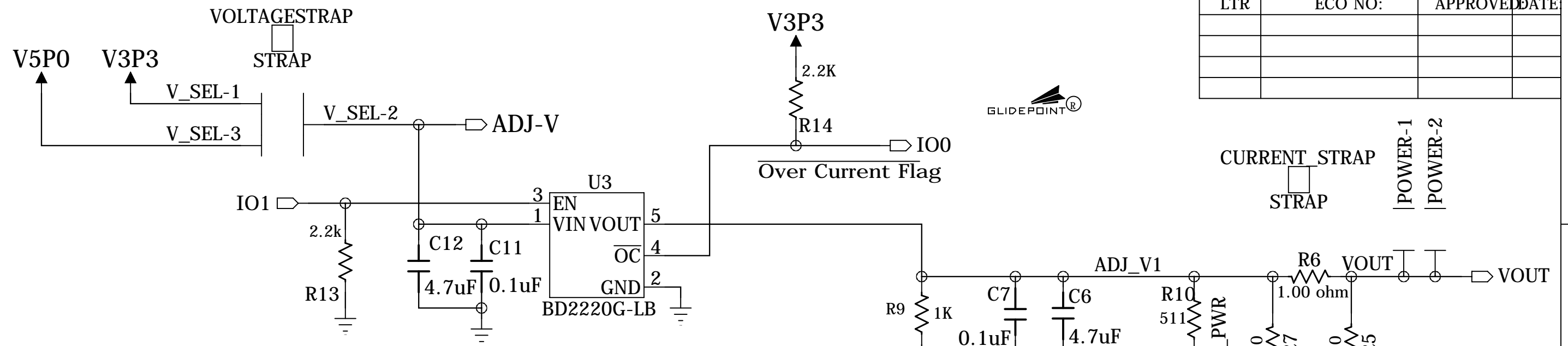
TITLE: **GLIDEPOINT DEV KIT RUSHMORE SPI & I2C**

DRAWN: Doug Steck	DATED: 2018/07/10
CHECKED:	DATED:
QUALITY CONTROL:	DATED:
RELEASED:	DATED:

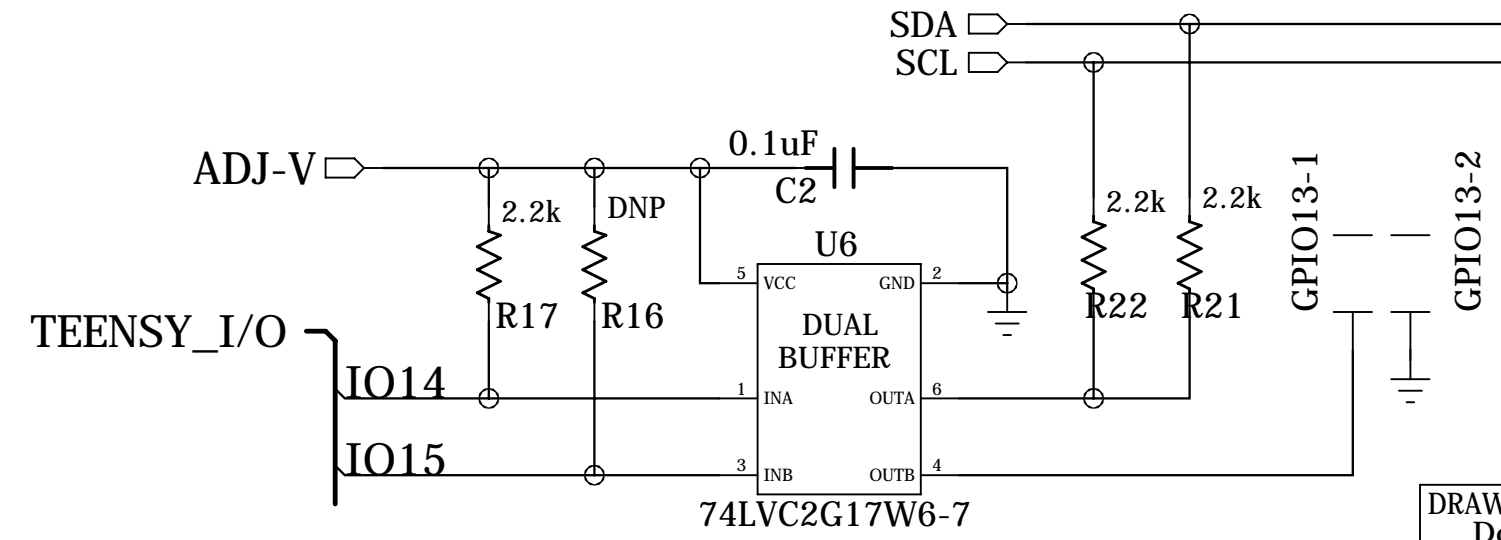
CODE:	SIZE: B	DRAWING NO: 8C-000658-00	REV: C00
SCALE:			SHEET 2 OF 4

6 5 4 3 2 1

REVISION RECORD			
LTR	ECO NO:	APPROVED	DATE



Unit Under Test Voltage Selection Power Enable and Limit



DRAWN: Doug Steck	DATED: 2018/07/10
CHECKED:	DATED:
QUALITY CONTROL:	DATED:
RELEASED:	DATED:

COMPANY: Cirque Corporation			
TITLE: GLIDEPOINT DEV KIT RUSHMORE SPI & I2C			
CODE:	SIZE: B	DRAWING NO: 8C-000658-00	REV: C00
SCALE:			SHEET 3 OF 4

D
C
B
A

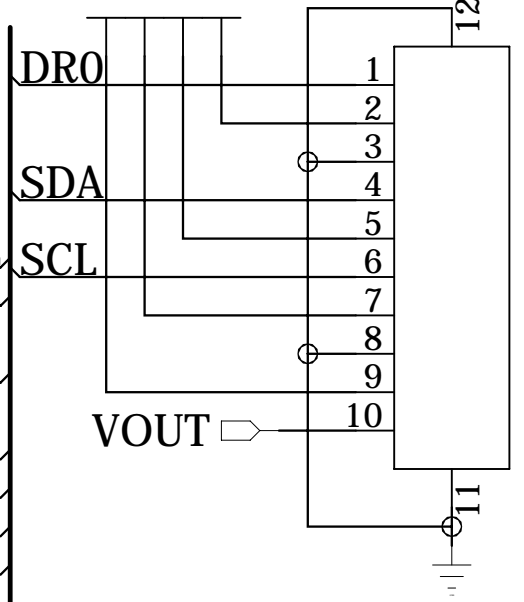
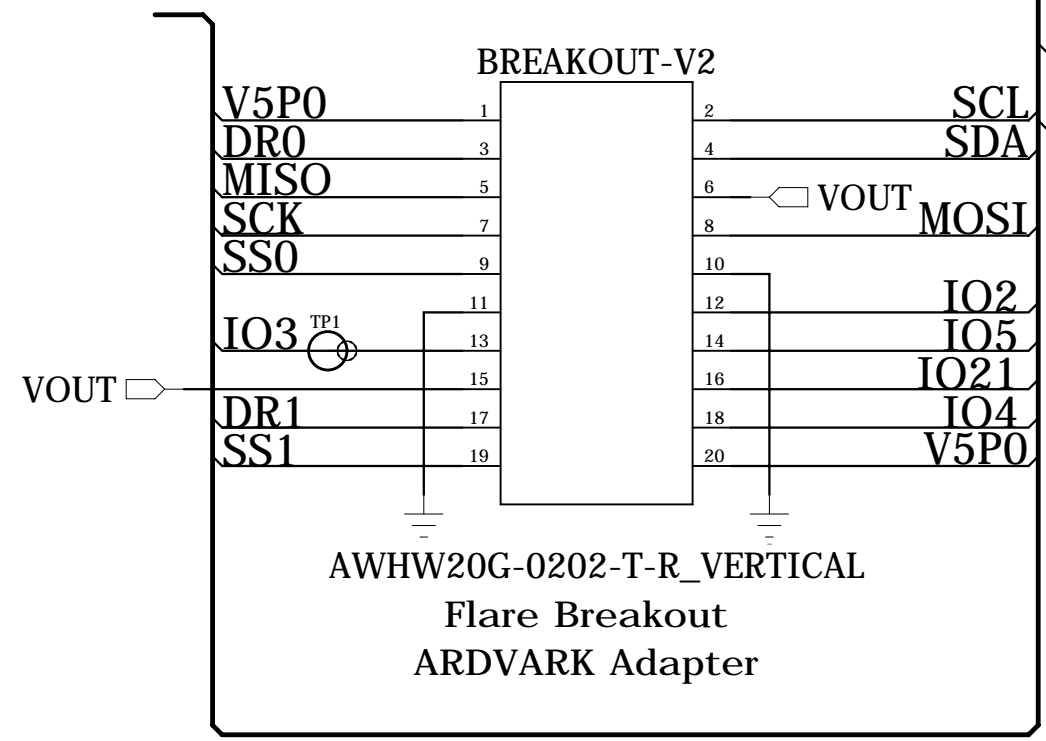
D
C
B
A

6 5 4 3 2 1

REVISION RECORD			
LTR	ECO NO:	APPROVED	DATE

TP5-1
TP5-2
TP5-3
TP5-4

TEENSY_I/O



CON_FH12_10S_05
SENSOR2



D

D

C

C

B

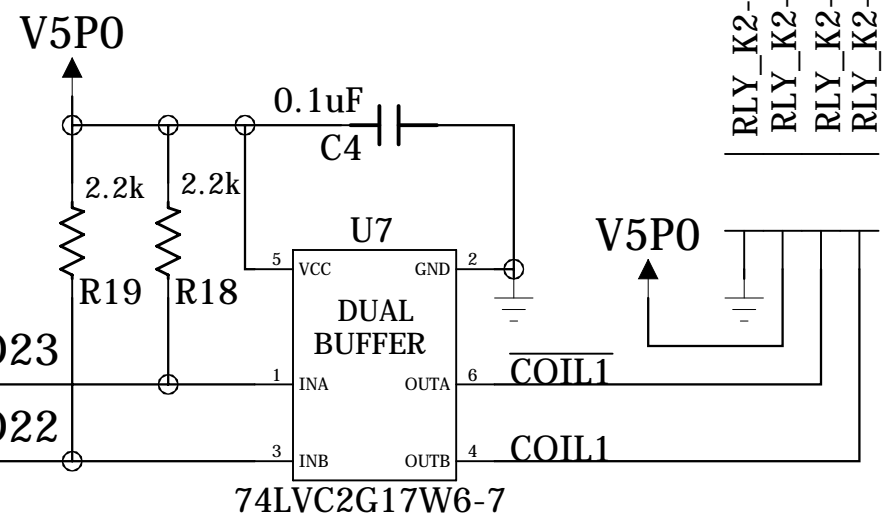
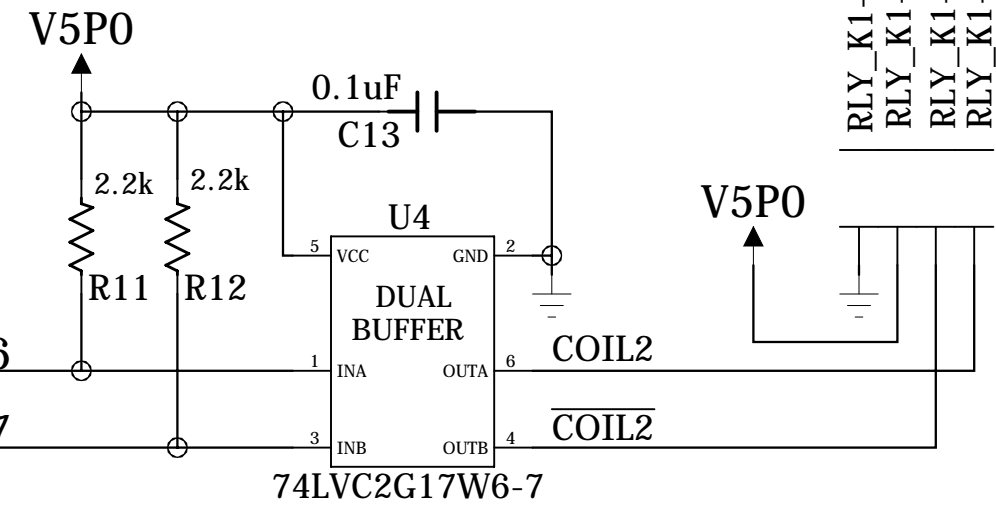
B

A

A

RLY_K2-1
RLY_K2-2
RLY_K2-3
RLY_K2-4

RLY_K1-1
RLY_K1-2
RLY_K1-3
RLY_K1-4



COMPANY: Cirque Corporation			
TITLE: GLIDEPOINT DEV KIT RUSHMORE SPI & I2C			
CODE:	SIZE:	DRAWING NO:	REV:
	B	8C-000658-00	C00
SCALE:			SHEET 4 OF 4

DRAWN: Doug Steck	DATED: 2018/07/10
CHECKED:	DATED:
QUALITY CONTROL:	DATED:
RELEASED:	DATED: